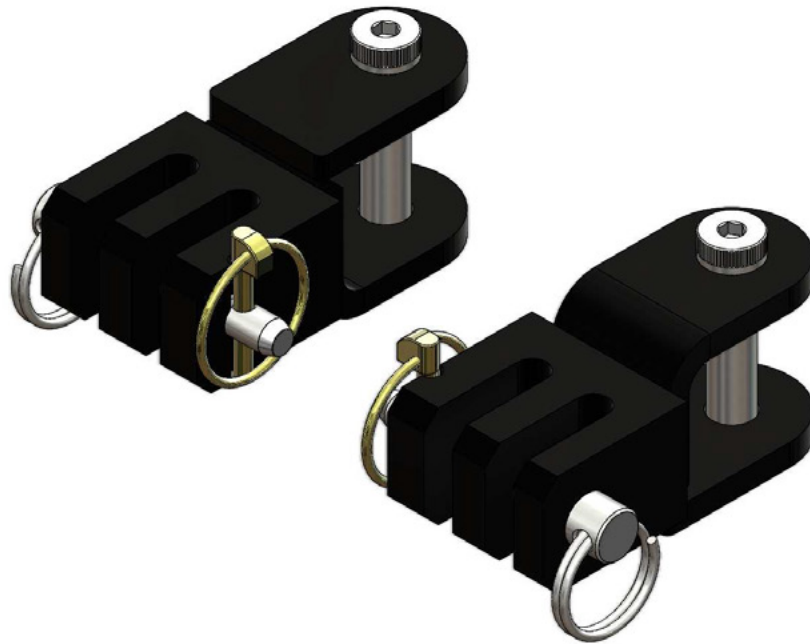




BX88297 Ready Brute Triple Lug Kit Installation Instructions



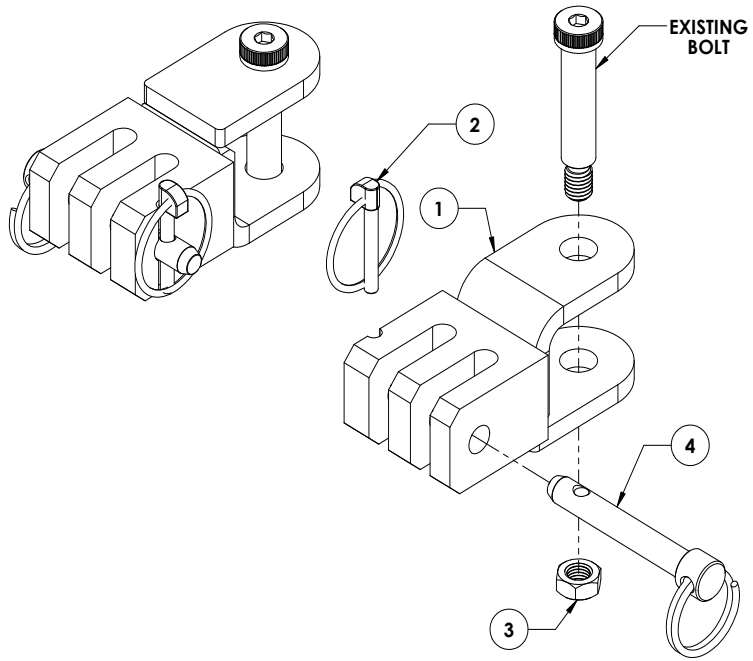
Installation:

1. Using an 5/16" allen wrench and 3/4" wrench, remove the existing lug bolts and nuts from the Ready Brute tow bar.
2. Remove the Ready Brute factory lugs from the tow bar.
3. Install the Blue Ox® triple lugs onto the tow bar using the existing bolts and the 1/2"-13 essna jam nuts provided.

Note: Install the lugs with the notch for the quick pin towards the inside of the tow bar legs.

BX88297 Ready Brute Triple Lug Kit Installation Instructions

Tools Required
5/16" Allen Wrench
3/4" Wrench



Item No.	Part No.	Description	Qty.
1.....	61-7270.....	Ready Brute Triple Lug.....	2
2.....	62-3213.....	Quick-Pin.....	2
3.....	202-0143.....	1/2"-13 Essna Jam Nut, ZP.....	2
4.....	229-0520.....	1/2" x 2-5/8" Effective Pin.....	2

CUSTOMER SERVICE COMMITMENT

Blue Ox® is committed to providing you with exceptional customer care throughout your lifetime with our products. Our team is here to assist you with any questions you may have regarding the performance of your product. Simply call (402) 385-3051 and you can speak with our customer care team.

Additionally, please visit our website to see which rallies our Destination America team will be attending. For a nominal fee, our service technician will service your towing system to ensure it's in proper working condition. Also, as a commitment to our customers, should you visit our factory, you can stay at our full service Blue Ox® campground at no charge along with enjoying a factory tour.

Again, thank you for being our customer and for the confidence you have shown in the performance of our products. It is because of customers like you we enjoy the success we have today.

© 2013 Blue Ox
One Mill Road, Industrial Park
Pender, Nebraska 68047
Phone: (402) 385-3051
Fax: (402) 385-3360
www.blueox.com